

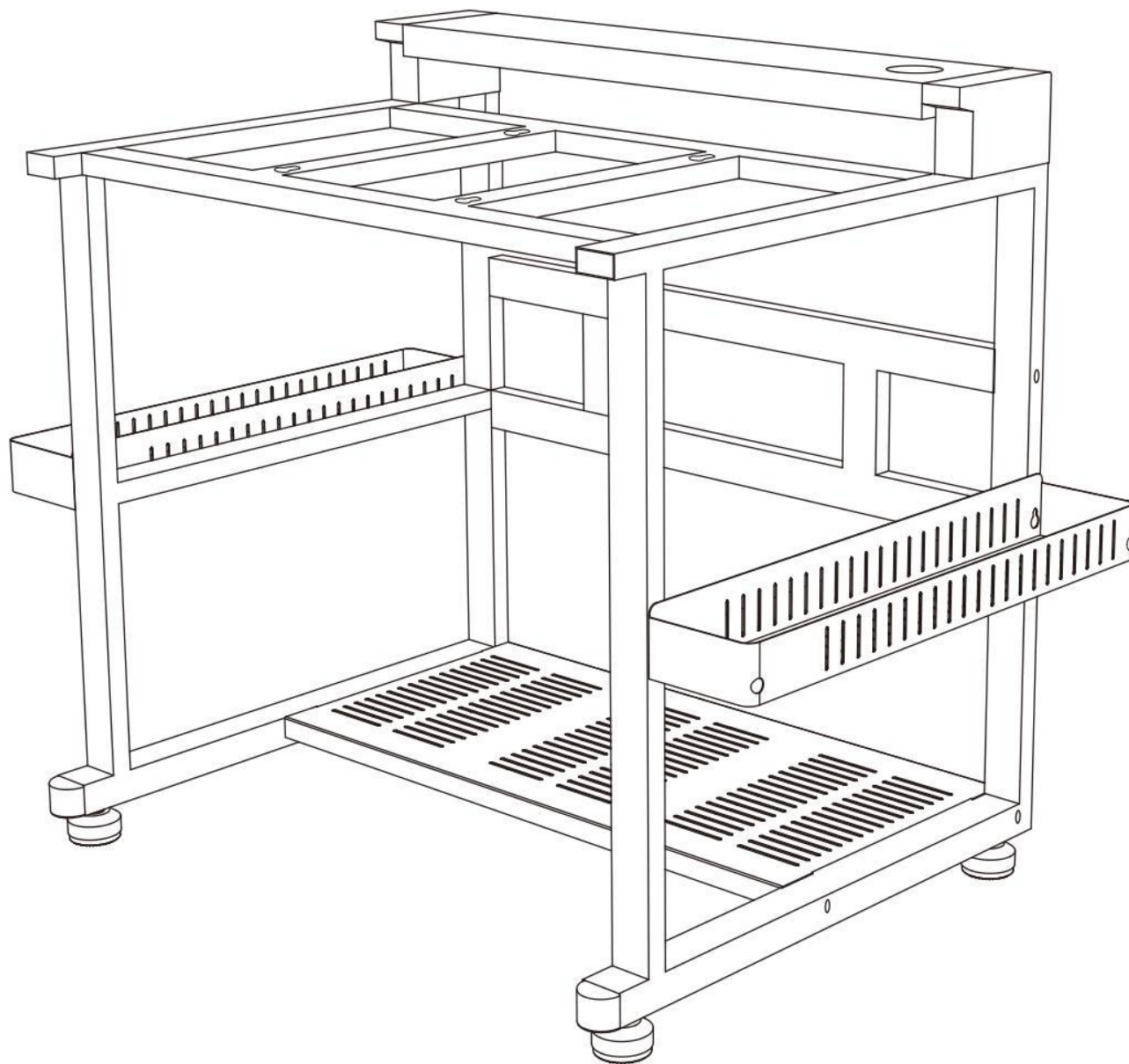
QANBA



2009 ARCADE

2009 - Base manual

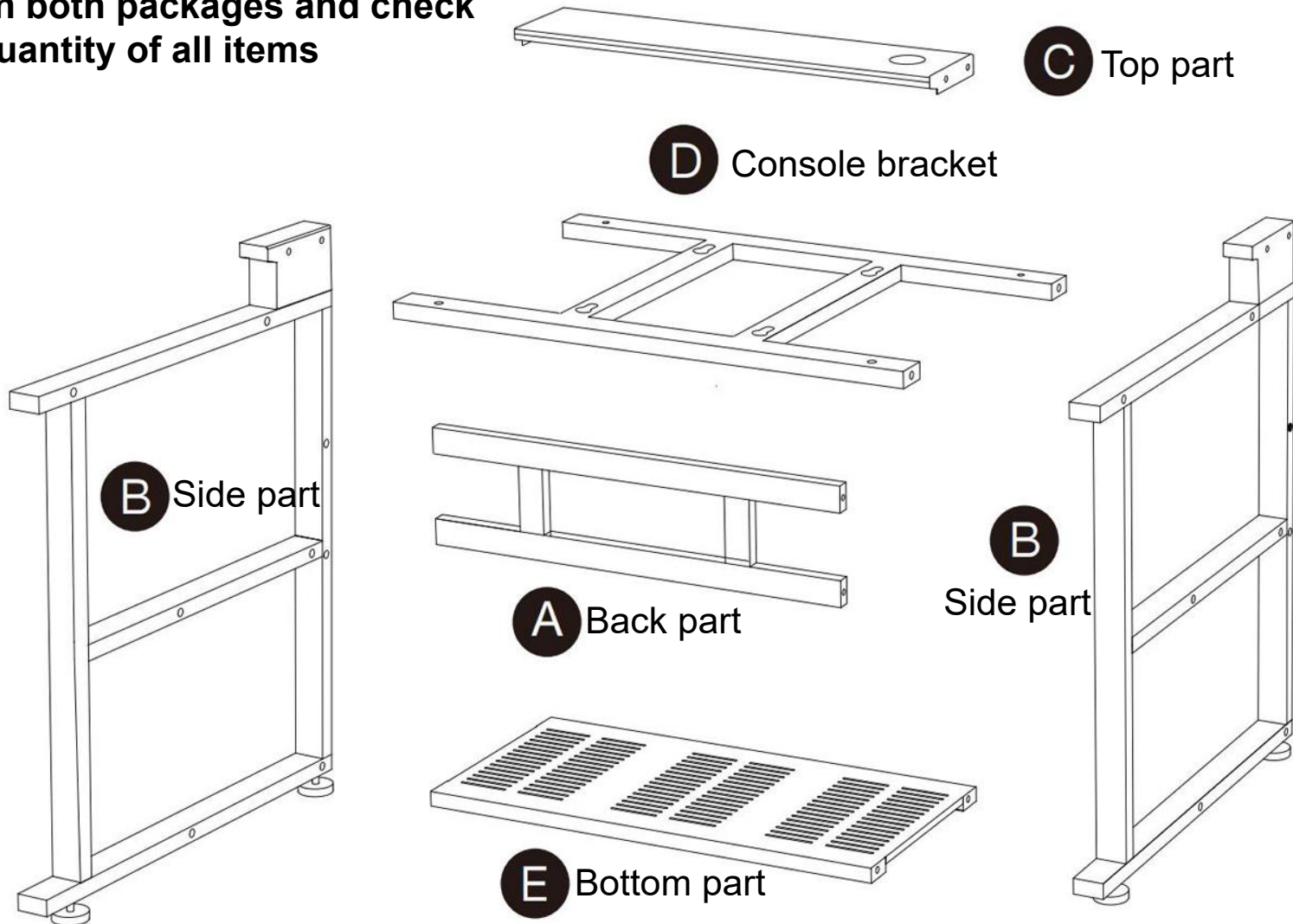
QANBA 2009
Arcade(BASE)



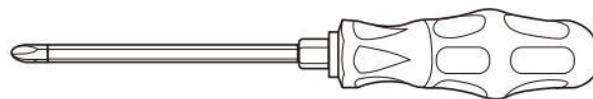
List of materials for the base package

① 6 metal bracket parts

*Open both packages and check the quantity of all items



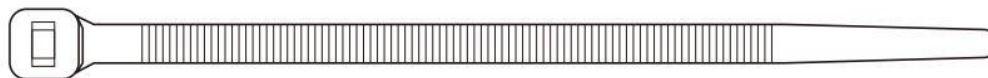
② Accessories box: 6x50mm screw x 16, 6x30mm screw x 8, Phillips screwdriver x 1, USB cable x 4, 6-inch cable tie x 12, 10-inch cable tie x 25



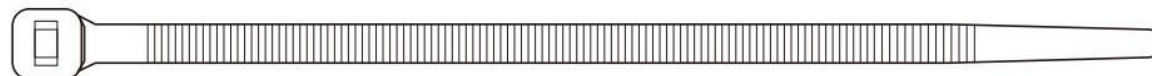
F 6x50mm
screw (x 16)

Q 6x30mm
screw (x 8)

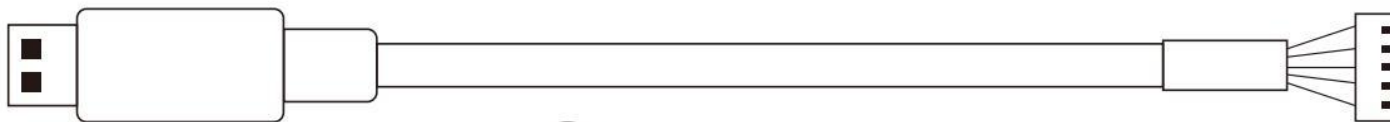
O Phillips screwdriver



L 6-inch cable tie (x 12)



M 10-inch cable tie (x 25)

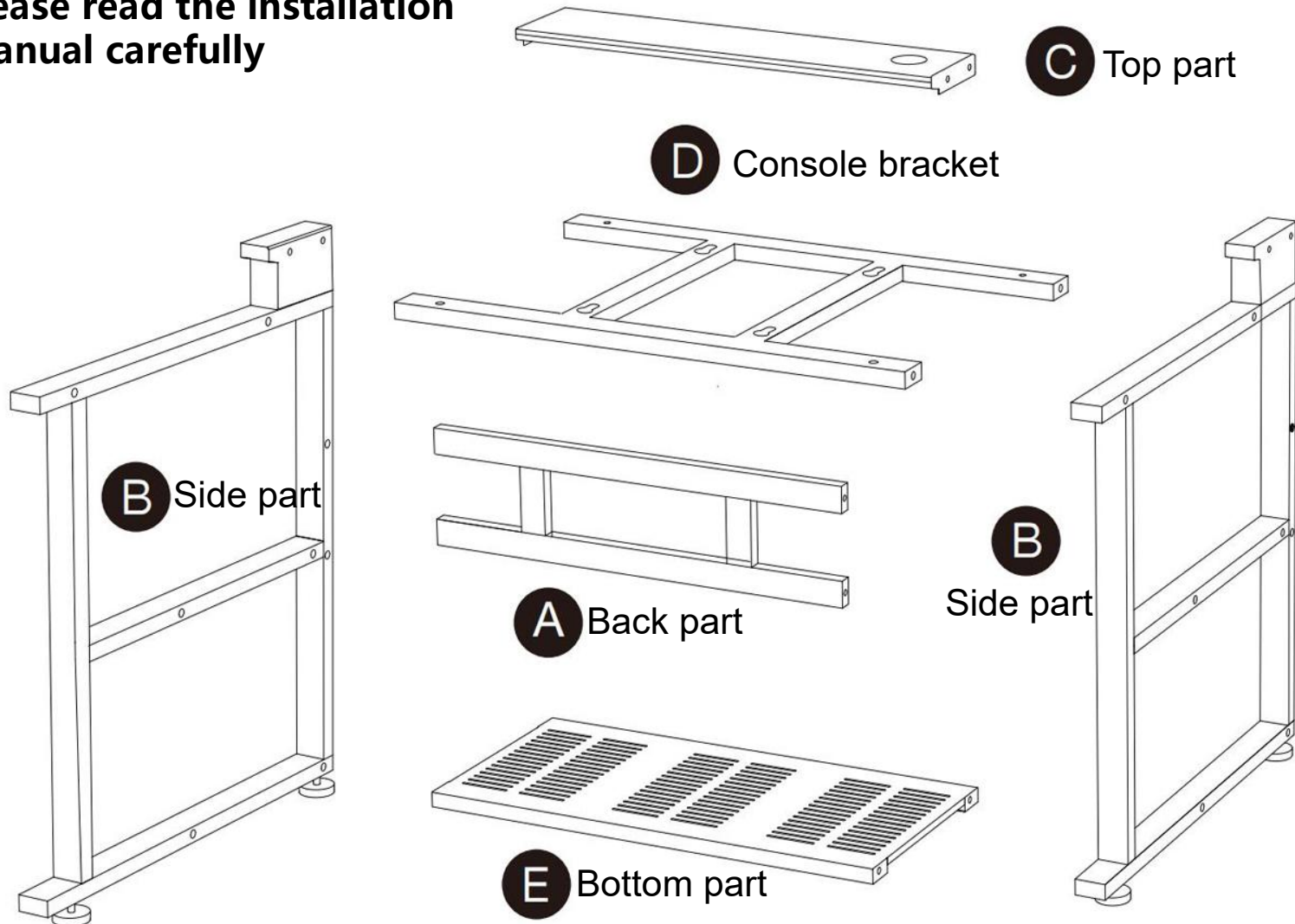


N USB cable (x 4)

List of materials prepared before installation

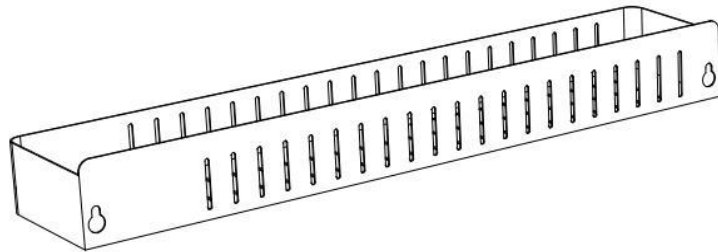
Installation preparation: 6 metal bracket parts

* Please read the installation manual carefully

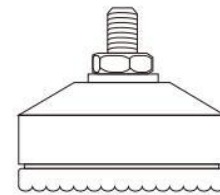


Preparing accessories for installation

6x50mm screw x 16, 6x30mm screw x4, Phillips screwdriver x 1,
Storage basket x 2, Floor Protector Mat x4 (in 2009-1P/2009-2P box)



J Storage baskets (x2)



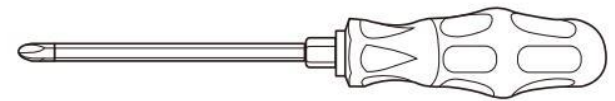
G Floor Protector Mat(2)



F 6x50mm
screw (16)



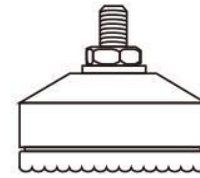
Q 6x30mm
screw (x 8)



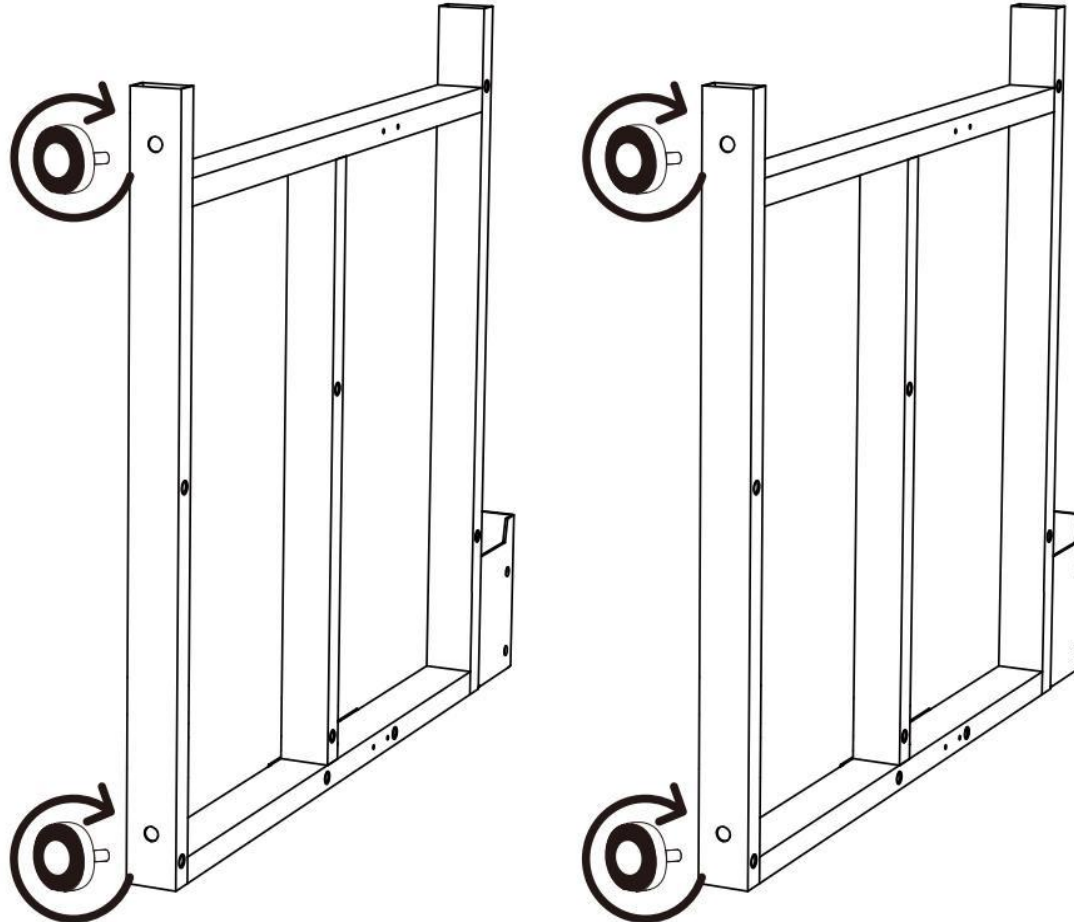
O Phillips screwdriver

Installed base

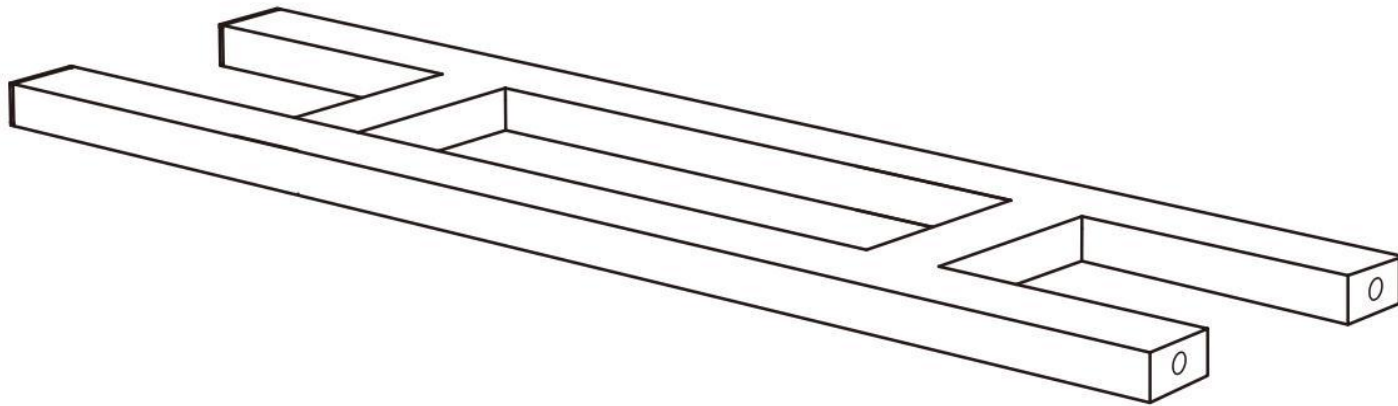
Step 1: Screw the 4 floor protector mat (G) into the bottom of the 2 side parts (B).



**Clockwise
tightening**



Step 2: Lay the back part (A) flat on the floor.

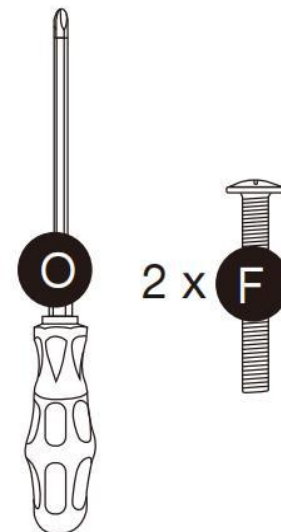
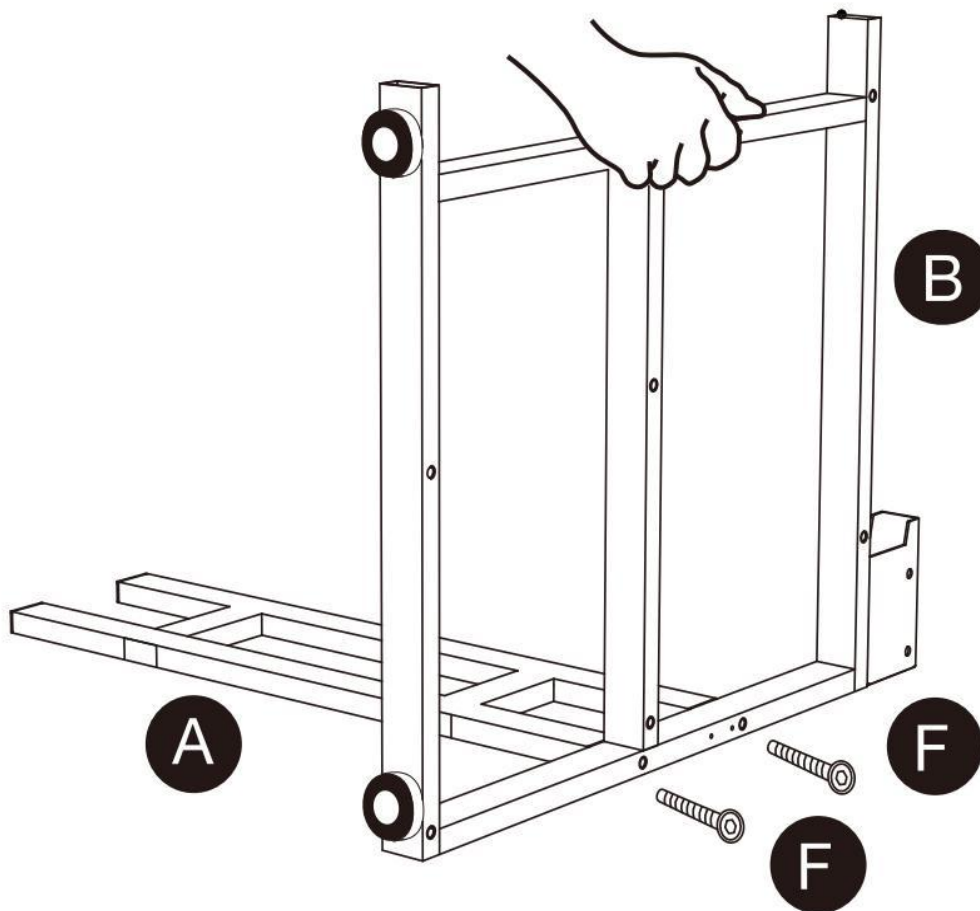


A back part

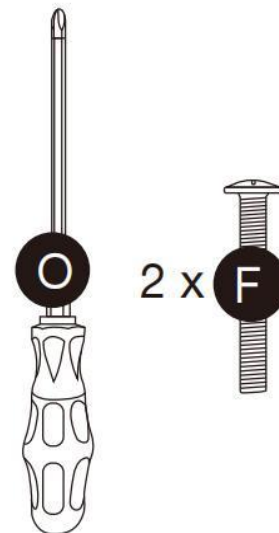
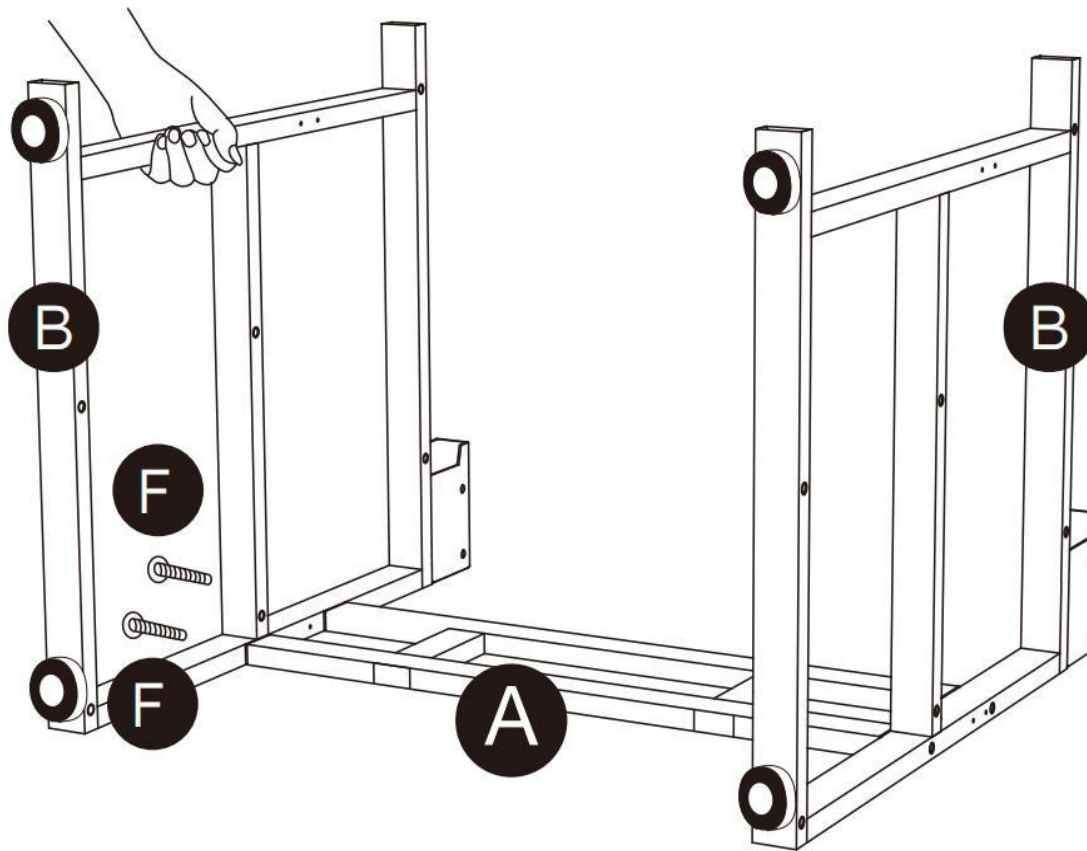
Step 3: Connect the back part (A) and side part (B) and tighten the 6x50mm screws (F) to 80%, not completely.



**Clockwise
tightening**



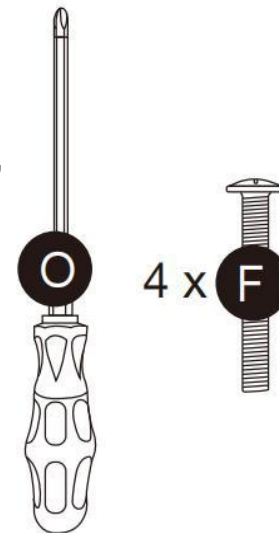
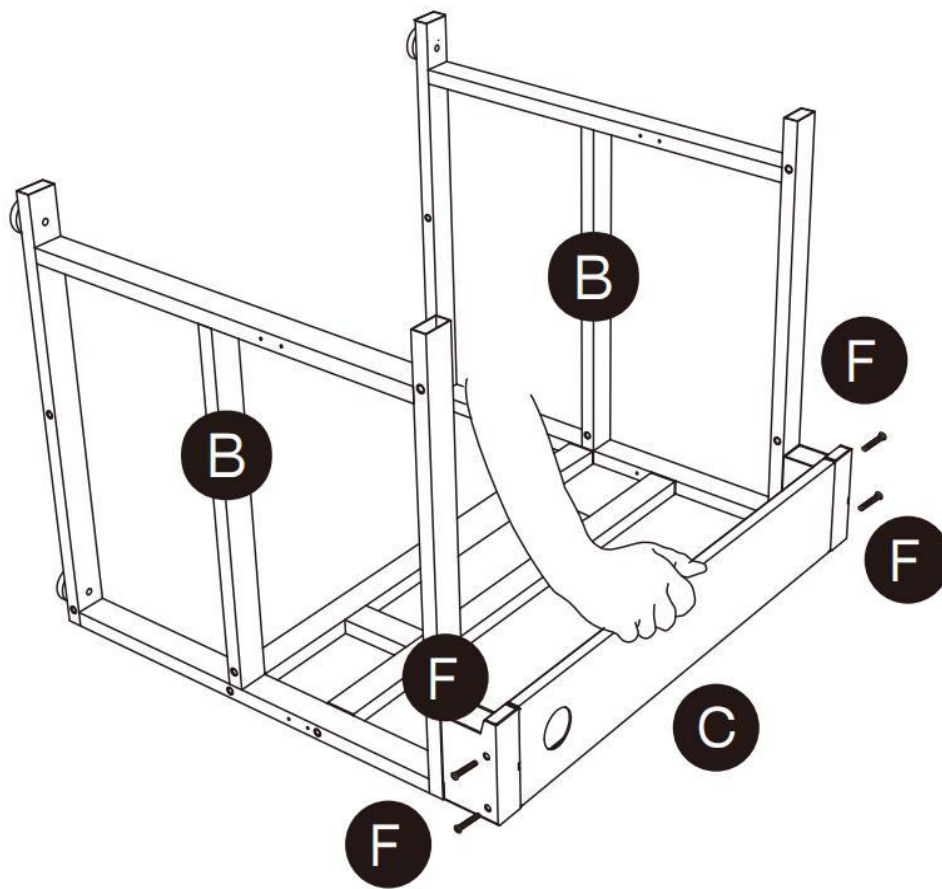
Step 4: Repeat Step 3 to install another side part (B),



Step 5: Install the top part (C) and tighten the 6x50mm screw (F) to 80%, do not tighten it completely.



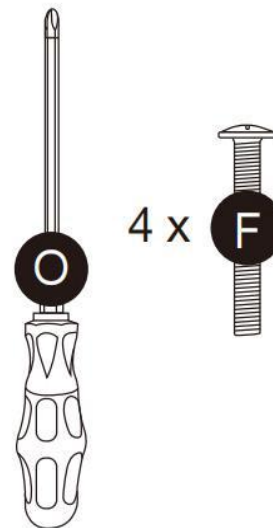
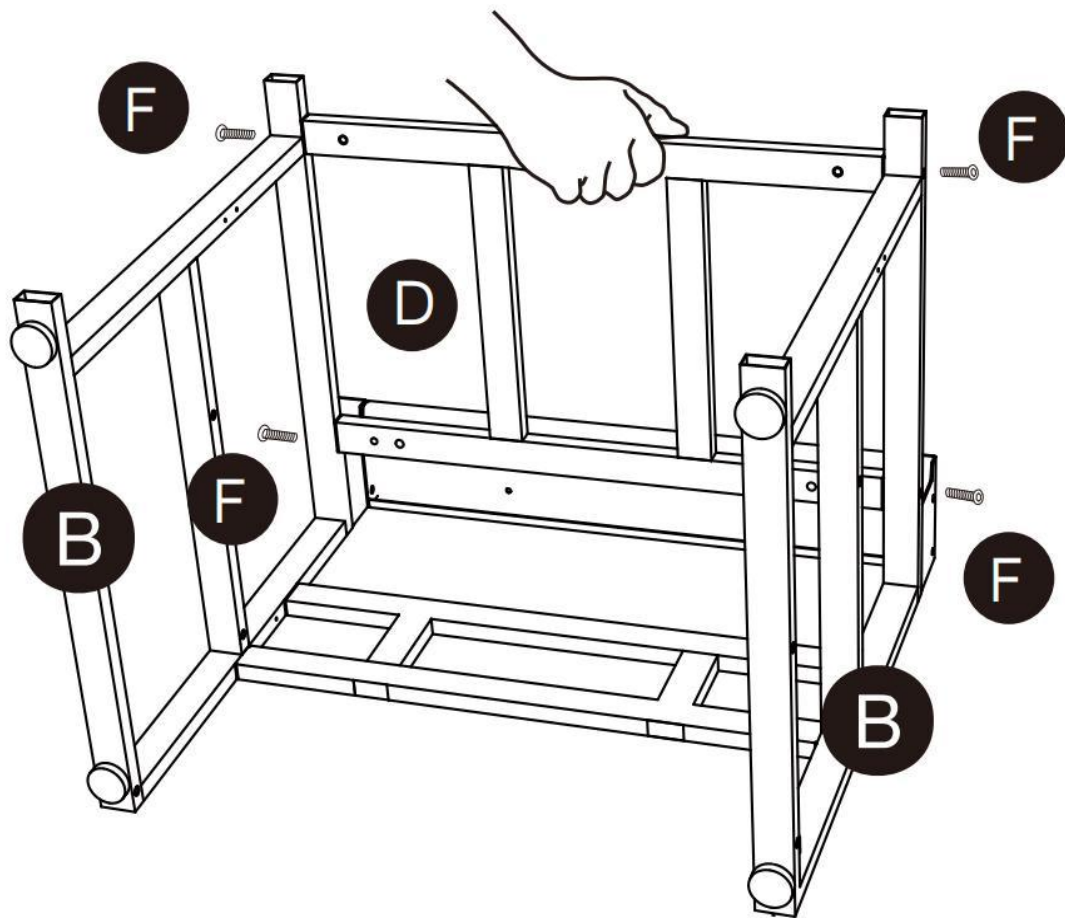
Clockwise
tightening



Step 6: Install the console support (D) and tighten the 6x50mm screw (F) to 80%, not completely.



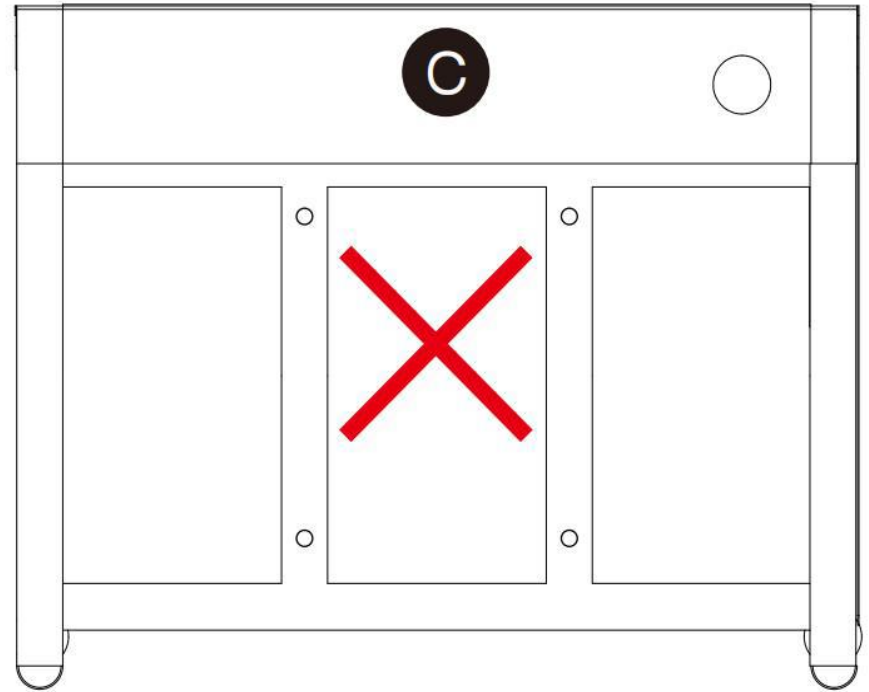
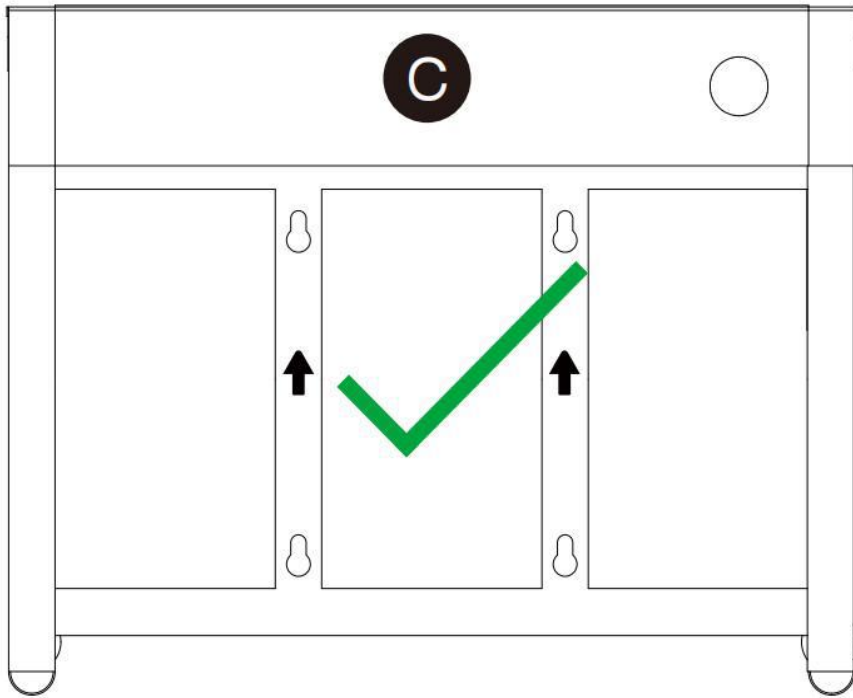
Clockwise
tightening



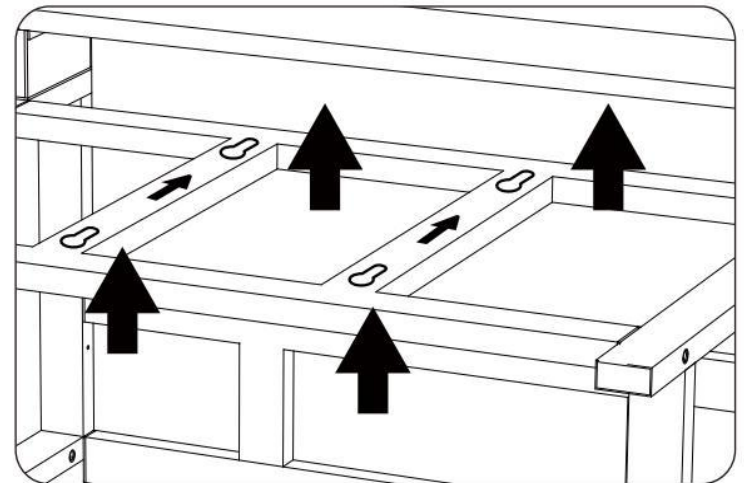
4 x



F



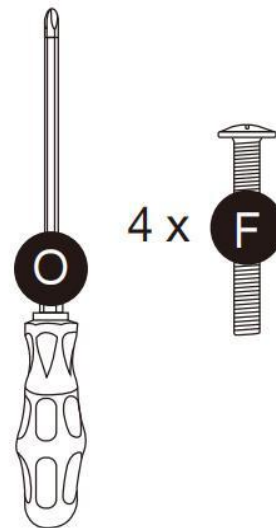
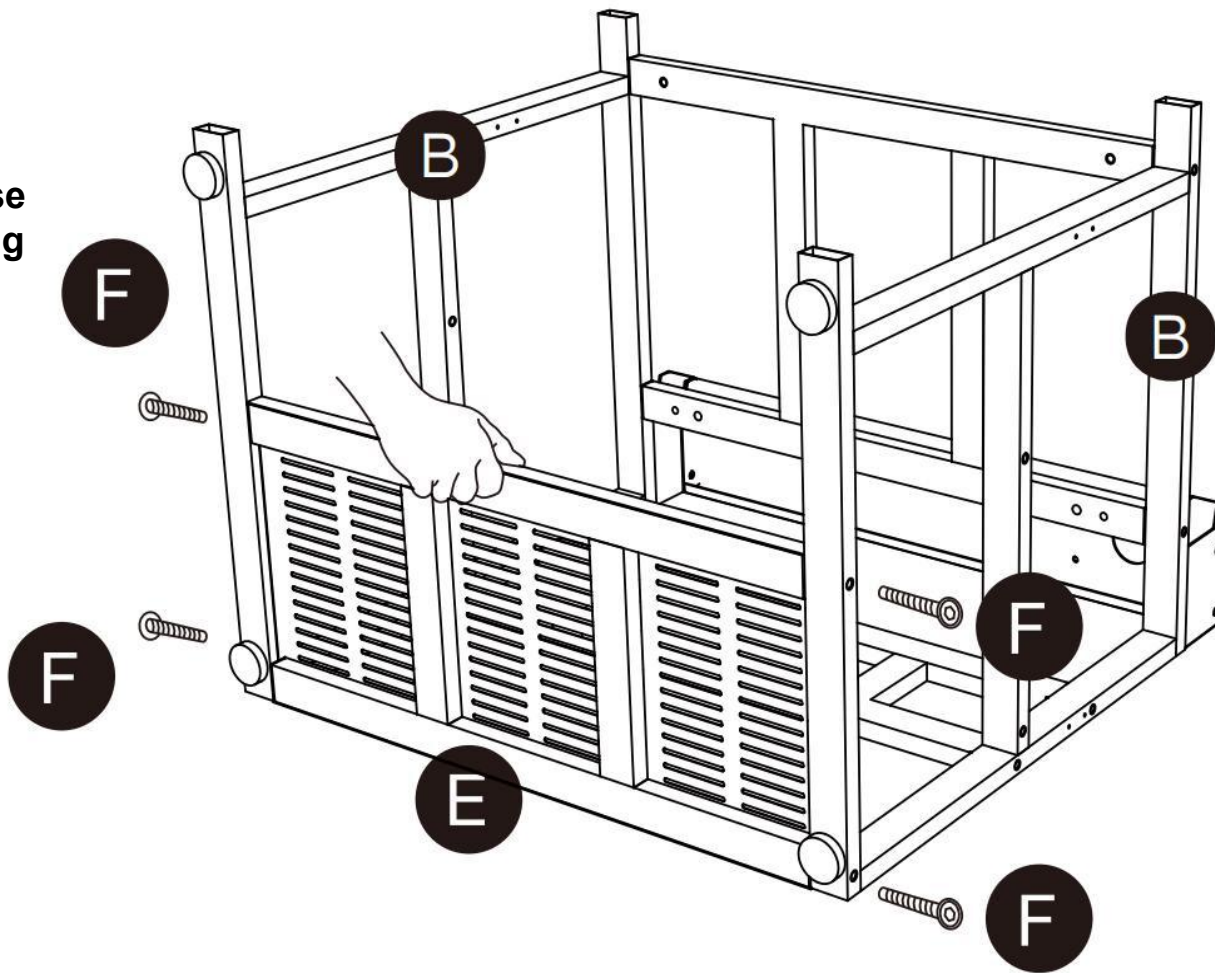
Note: The arrow of the sticker is directed towards the indicator, and the front side has a collision avoidance sticker. Please follow the diagram with the jack facing up and the large hole facing out.



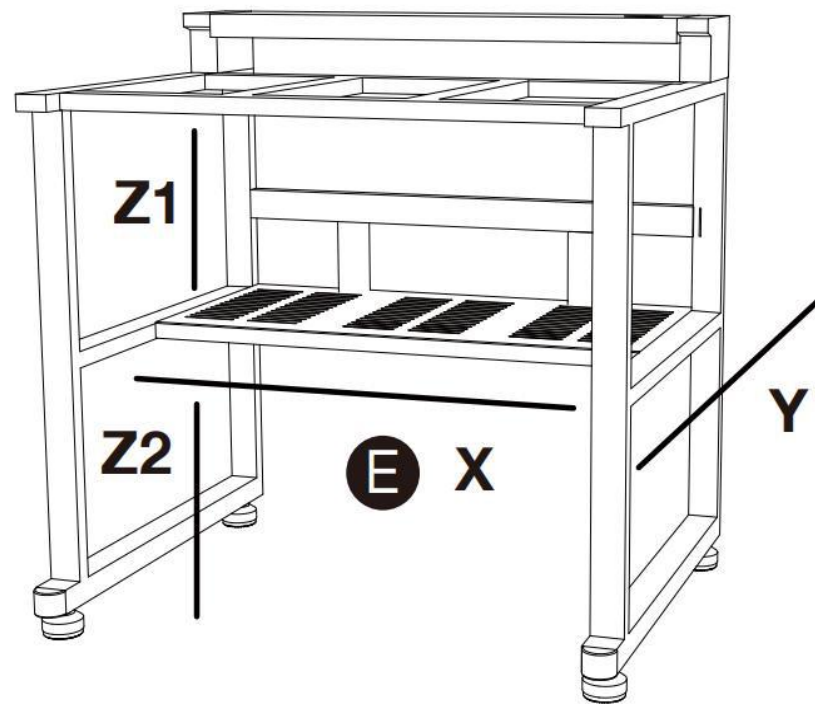
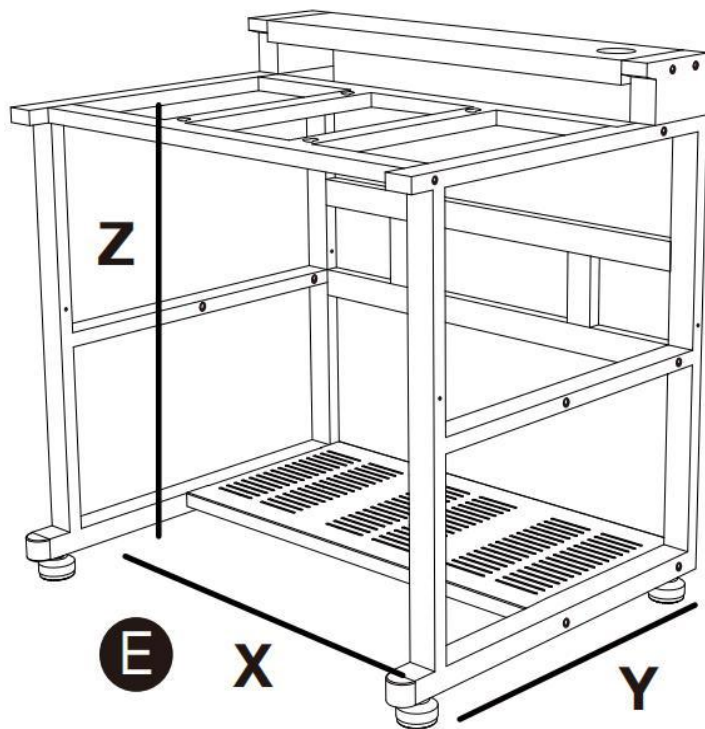
Step 7: Install the bottom part (E) and tighten the 6x50mm screw (F) to 80%, not completely.



Clockwise
tightening



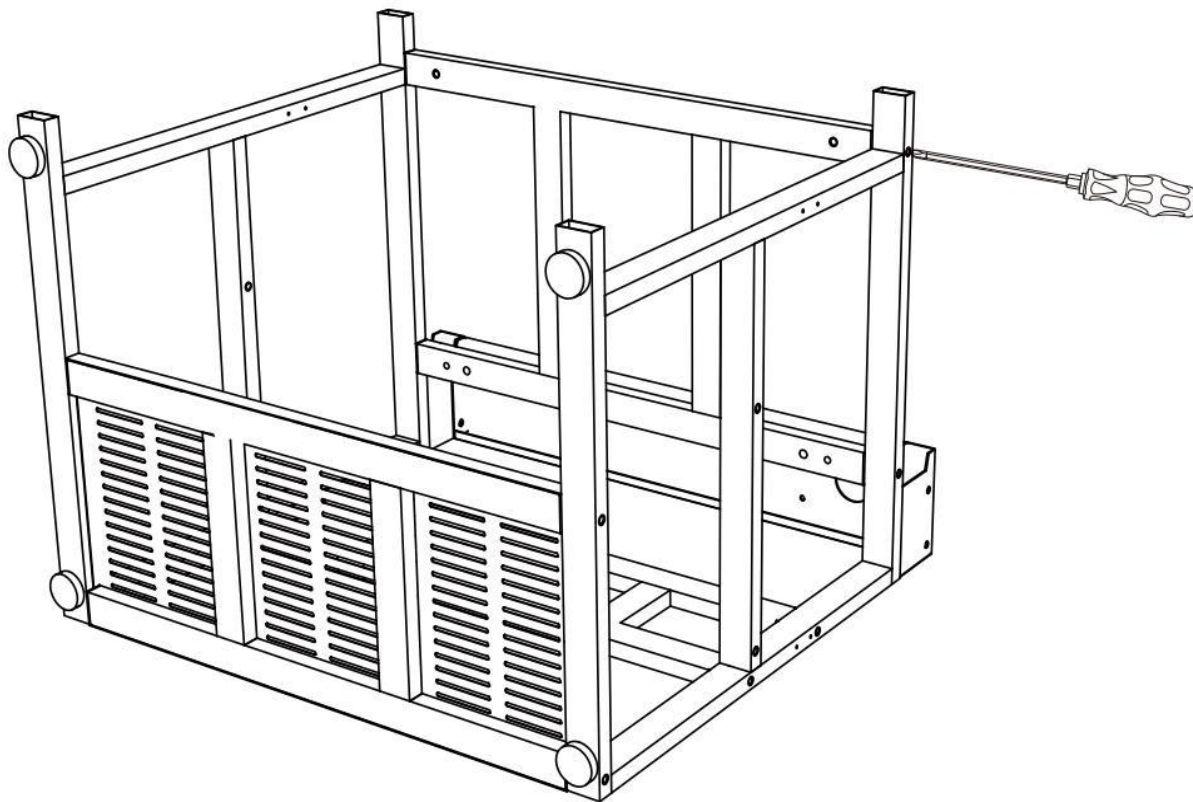
* The bottom component (E) can be installed in different positions according to your needs



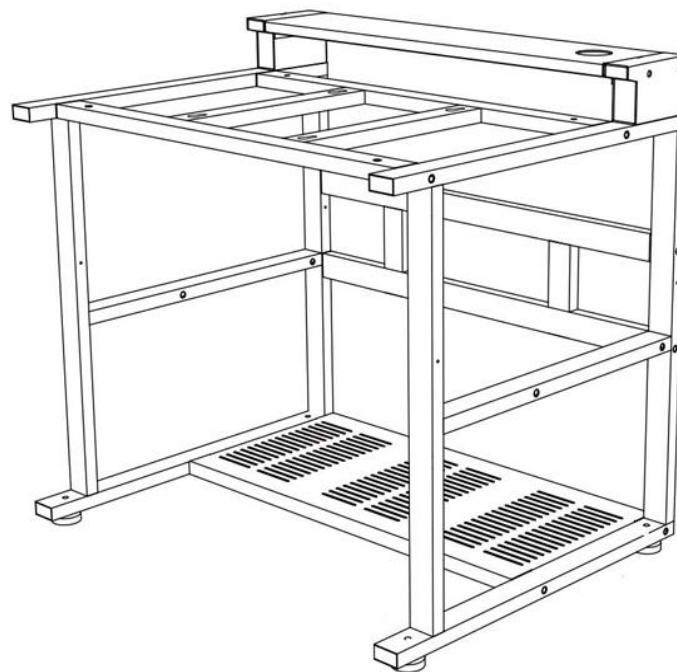
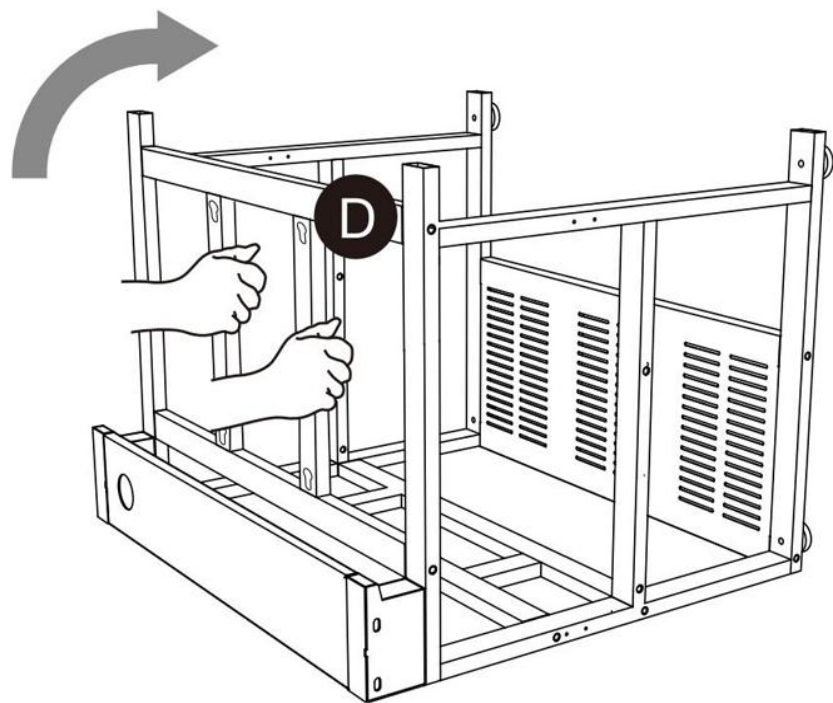
Step 8: Tighten all the 6x50mm screws (F)(x16) on the base.



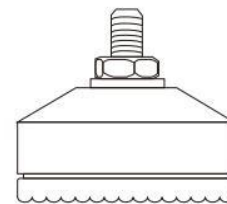
**Clockwise
tightening**



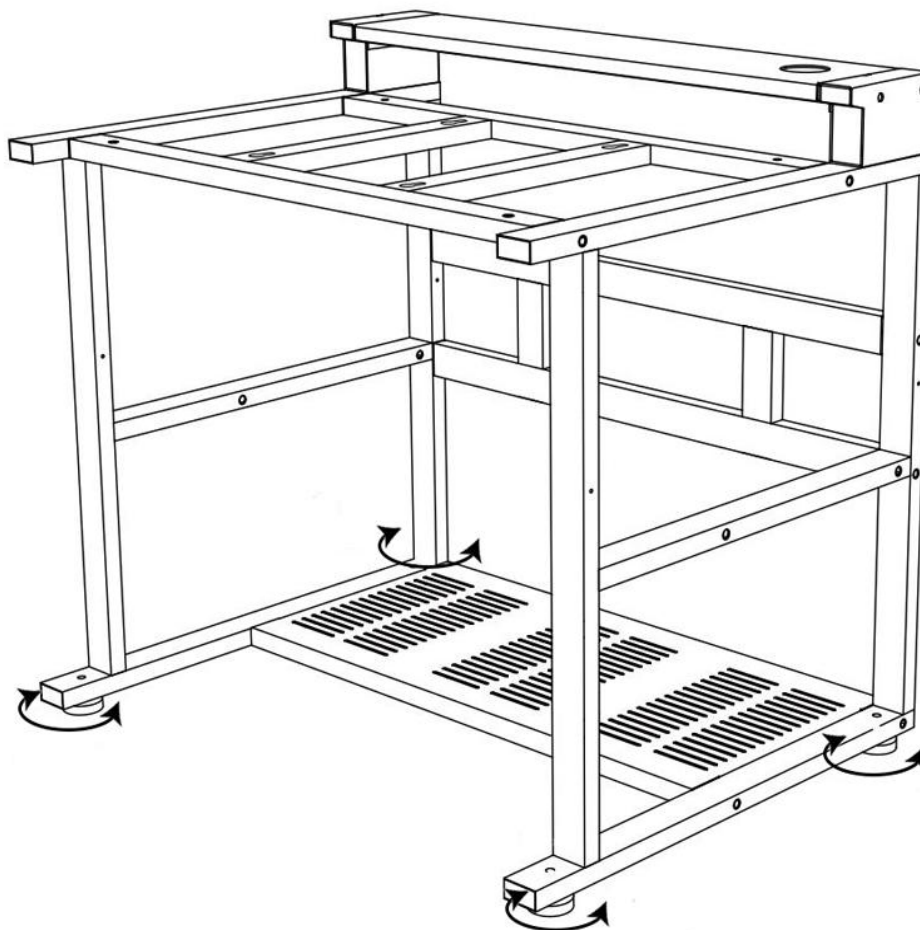
Step 9: Flip the entire base



Step 10: Adjust the height of the Floor Protector Mat(G) to balance the base horizontally.



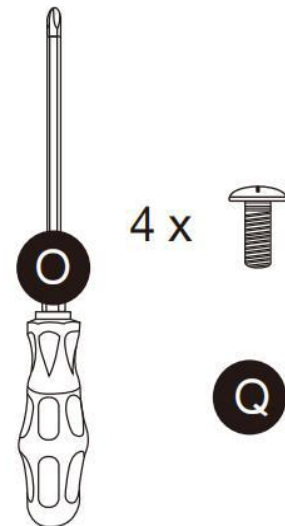
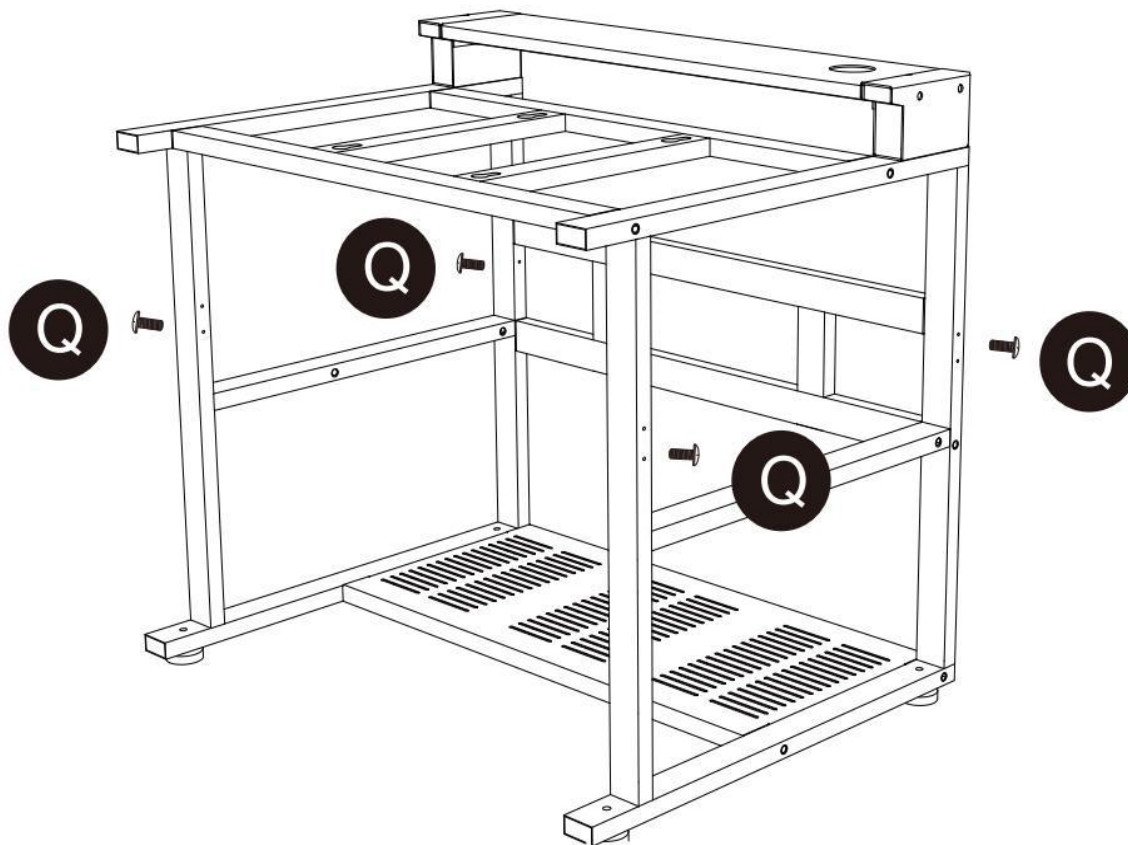
4 x **G**



Step 11: Tighten the four 6x30mm screws (Q) to 80%. Do not tighten completely.



Clockwise
tightening



Step 12: Hang the storage basket (J) on 4 screws to completely tighten 4 6x30mm screws (Q)



**Clockwise
tightening**

